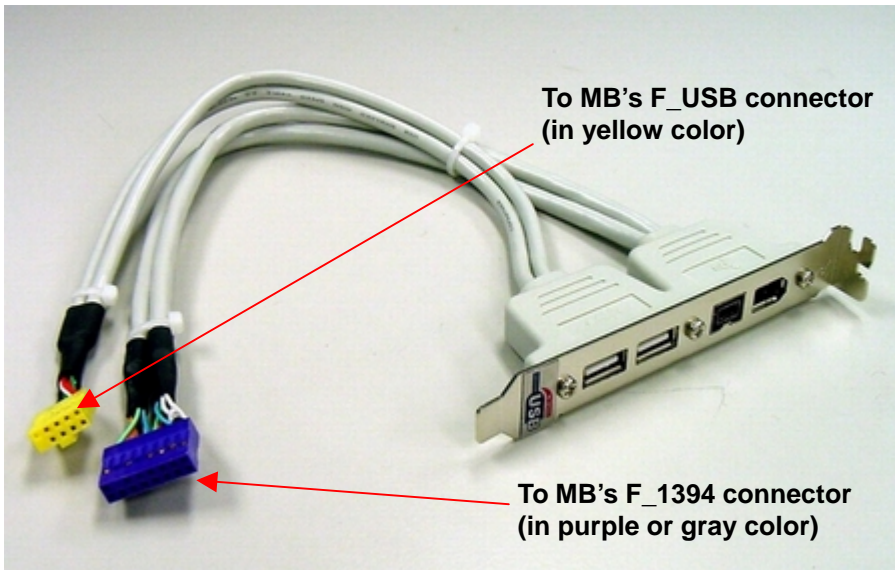
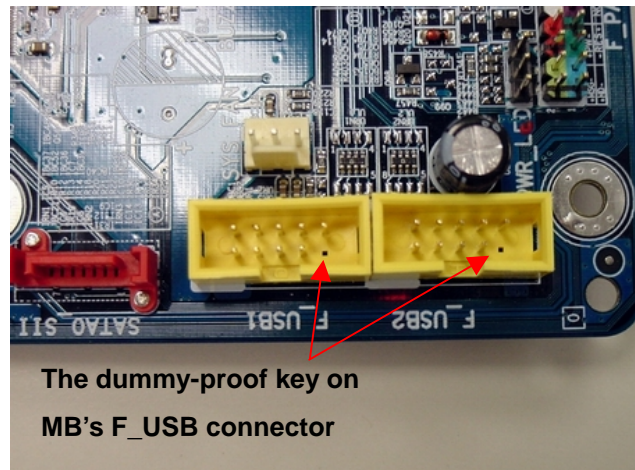
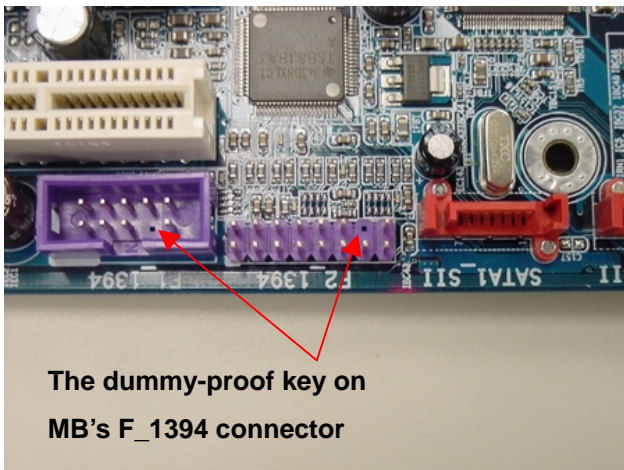


If there is IEEE 1394 and USB controller on the GIGABYTE motherboard, we will provide a USB/1394 combo cable bracket for external device connection. The cable bracket provides two IEEE 1394 ports and two USB ports. Here comes detail information about related H/W installation:

### 1. USB/1394 combo cable bracket



### 2. The dummy-proof key on the related connector



3. Please connect the cables of bracket to the proper connector with the same color. Purple/gray connector is for F2\_1394 (purple) /F1\_1394 (gray) connector; yellow connector is for F1\_USB or F2\_USB connector.

